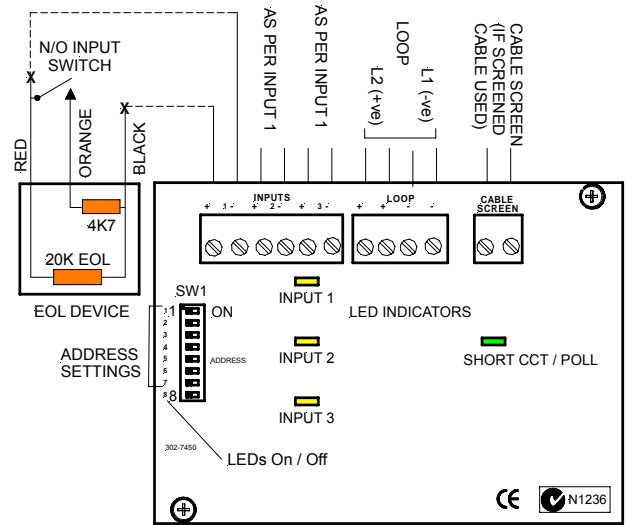


Description

The 3ID is a versatile loop powered 3 monitored input device designed for use on an Apollo XP95 or Discovery Protocol loop and is available in an enclosure or DIN rail chassis. The device is easy to install and provides access for termination of field wiring of up to 2.5mm².

Each of the three (3) inputs can be configured to respond to an 'Alarm', 'Fault' or 'Isolate' input condition and has debounce circuitry for enhanced noise rejection as well as high transient voltage protection. Ampac's unique 'sub-addressing' techniques permit descriptors to be assigned to each input and displayed on the LCD of the *FireFinder™* or LCD Mimic Panels.

On board status indication is also available for each input. These are generally used for commissioning purposes and are normally deactivated during normal operation to reduce the current draw on the system when the device is active.



Layout & cabling of the Three Input Device

Note: 3 X EOL devices are supplied to facilitate installation. Each device incorporates an EOL and In-line resistor into one.

Input Interface

The inputs are monitored for both open and short circuit. The resistor value used to achieve this monitoring function, are 20kΩ End-of-Line while the In-Line resistor is 4.7kΩ. Each input to the device has an "Input Operated" status indicator.

Chart showing the relationship of the Device Analogue value to input resistance:

Input Resistance	Status	Analogue Value
< 500 ohms	S/C fault	4
500 – 15k	Switch closed	64
15 – 30 k	Switch opened	16
> 30 k	O/C fault	4

Device Addressing & Switching

Each 3ID installed must be correctly addressed using SW1 switches 1 to 7 on the circuit board. 126 addresses are available.

Switch 8 on the address switch is only used during commissioning. Place switch 8 in the OFF position to reduce the loop current consumption after the device is commissioned.

Status Indication

Function	Colour	Mode	Description
Input	Yellow	Steady	Input is active
Input	Yellow	Flashing	Input is in fault
SCI / Poll	Green	Flashing	Device is being polled
SCI / Poll	Green	On	Loop S/C detected

Specification

Current Draw (mA)	LED's ON	LED's OFF
Quiescent Current	1.5	1.2
1 INPUT ON	2.3	1.5
2 INPUTS ON	2.8	1.5
3 INPUTS ON	3.5	1.5
Total Current Draw	3.5	1.5

Size (mm)	Enclosed	DIN Rail
Length	200	98
Width	150	72
Depth	60	40

Cable entry	16 drill-outs	N/A
Enclosure	Grey ABS	N/A
IP Rating	IP 41	N/A

Item Numbers

Description	Item Number
Enclosed	201-0308
DIN Rail Mounted	201-0358
EOL Device	4210-0001 (20 pieces per pack)