

VECTOR SOUNDER (AS1670.4)

A conventional audible occupant warning device

Features:

- AS1670.4 – signal only
- Externally powered - low current consumption
- Volume control adjustment
- Built-in synchronising circuitry with sounders on the same circuit
- Can be installed as a sounder base for Apollo detectors or a surface mount sounder when used in conjunction with the optional lid
- Low profile
- Available as standard with an XP95 universal base fitted (complete with opto - interface board) so the sounder can be controlled via the remote LED output of the XP95 detector.



Vector sounder with optional lid shown

Description

The VECTOR sounder is housed in a white ABS casing and outputs national standard AS1670.4 signals of 91dB @ 1 metre.

In a two (2) wire configuration, the installer may select by way of a link continuous;

1. ALERT signals or
2. EVACUATION signals or
3. automatic timed changeover (either 60 or 90 seconds) from ALERT to EVACUATION signals.

The three (3) wire configuration offers the installer control to activate either ALERT or EVACUATION signals from a Fire Alarm Control Panel or similar control system.

The output volume can be adjusted to suit the environment. If adjusted care should be taken not to reduce the volume level below that required by any standards that may apply to that environment and / or consideration should be given to any variation of day / night background noise that may apply.



Technical

2 Wire

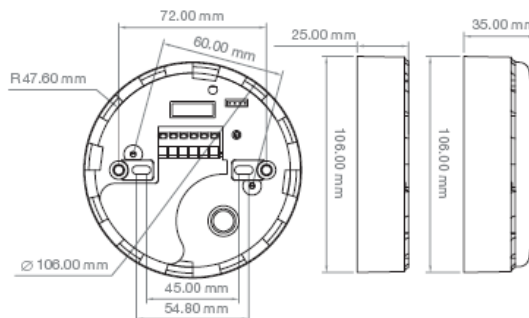
In a two (2) wire configuration a switched -ve 24VDC will activate the sounder. The type of signal the VECTOR delivers is dependant on where the switch wire is terminated. If the installer cables for the ALERT signal to be sounded the on-board link can be set so there will be an automatic changeover to EVACUATION after the time out.

The changeover time out can be either 60 seconds or 90 seconds, depending on the link option selected as clearly marked on the sounder.

3 Wire

In a three (3) wire configuration, the output signal is dependant on which switch wire is active at the time. The switch wire of the EVACUATION signal overrides the ALERT.

Sounder with Lid removed



Sounder Dimensions

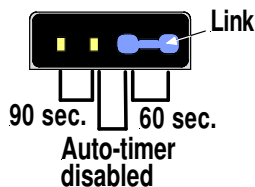
Specification

Operating voltage	8 to 35 VDC
Supply current Evac	15mA @ 24VDC
Supply current Alert	8 mA @ 24VDC
Signal output	AS1670.4 – signal only
Max. Output level Evac	91 dBA @ 1 metre with detector
	93 dBA @ 1 metre with lid
Volume control	-30dBA
IP rating	IP42
Temperature range	-20 to + 70°C
Construction	ABS
Dimension (mm)	106Ø x 35h (Sounder & lid only)

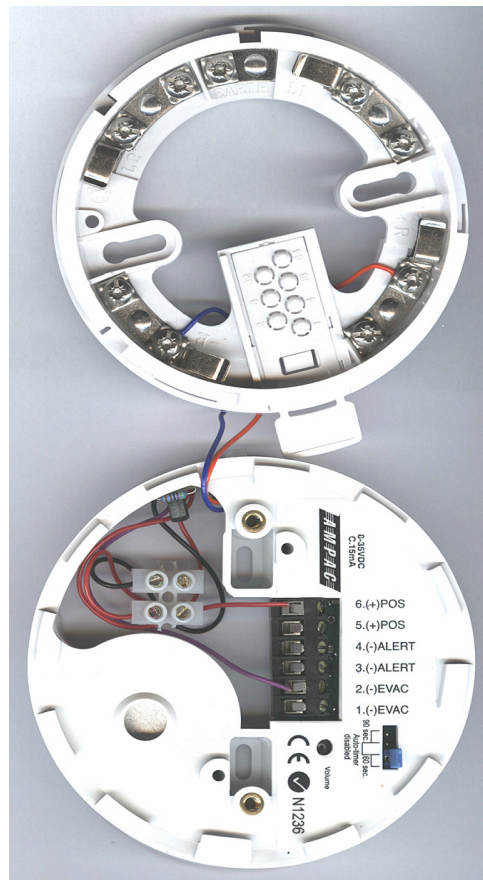
Order Code

205-0077	Vector Sounder only (White)
205-0017	Vector Sounder Lid only
205-0078	Vector Sounder complete with XP95 Universal Base

Installation Instructions



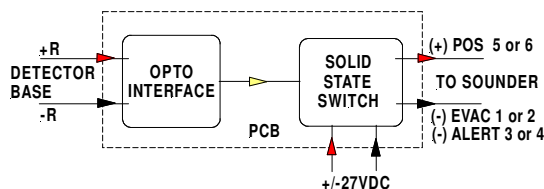
Automatic Timer Settings



Sounder and XP95 Base Configuration

When used in the above configuration the sounder is;

1. by default a two (2) wire setup
2. normally externally powered
(Note the 2 way terminal block in the above diagram (red +VE and black -VE)
3. activated by way of setting the remote LED (REM LED) for the detector in *ConfigManager* to yes (Y)



Block Diagram of the Opto Interface & Switching PCB