

### Features

- Supports up to 8 Conventional Zones
- Supports range of conventional detectors – from Apollo, Hochiki, Nittan, Argus and others
- Up to 40 detectors per zone
- Supports a range of resistive and capacitive EOLs
- Supports head removal requirements (BS5839.1)
- Supports dependency A, B and C (EN54-2 and AS7240-2)

### Description

AMPAC's Eight Zone Conventional board has been designed to interface with AMPAC's **LoopSense** range of fire alarm control panels (FACP's).

The board supports eight (8) conventional zones and connects to the **LoopSense** FACP via the internal dedicated RS485 communications port.

The **LoopSense** can support up to four (4) boards providing up to 32 conventional zones.

Each zone can accommodate up to 40 conventional detectors and can be programmed to function in one of the following modes:

- Normal (latching)
- Non-latching/Self Reset
- Dependency A, B and C (EN54-2 and AS7240-2)
- Alarm Investigation facility

The board has a programmable End of Line (EOL) feature that allows either a 3K3Ω, 4K7Ω, 6K8Ω or 10KΩ resistor value to be used on all zones. Alternatively the EOL can be a 10uF capacitor which is required to support the head removal feature when the appropriate diode bases are used.

The zone interface circuitry is capable of recognising and reporting the following conditions:

- Normal
- Open Circuit
- Short Circuit
- Alarm



Figure 1 4310-0082

### Specifications

Operating Voltage	16Vdc – 27Vdc				
End Of Line Values	3K3Ω	4K7Ω	6K8Ω	10KΩ	10uF
Quiescent Current total (mA)	70	55	45	35	25
Alarm Current/Zone (Max)	25mA				
No. Zone Circuits	8, two-wire conventional				
No. Detectors/Zone	40 Max				
Max Cable Length	3km (based on cable resistive and capacitive values of 50Ω and 1μF respectively)				
Dimensions	155mm (L) x 72.5mm (W)				

### Item Numbers

4310-0082	8 Zone Conventional Board
-----------	---------------------------

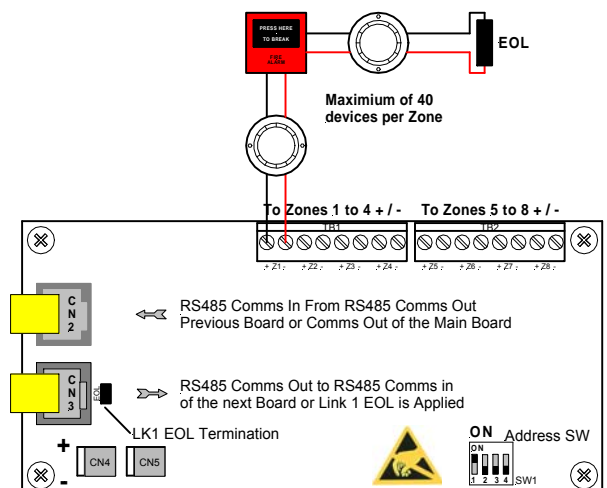


Figure 2 General Wiring